

TYPICAL SECTION
NS-255, EW-52 & EW ACCESS RD.

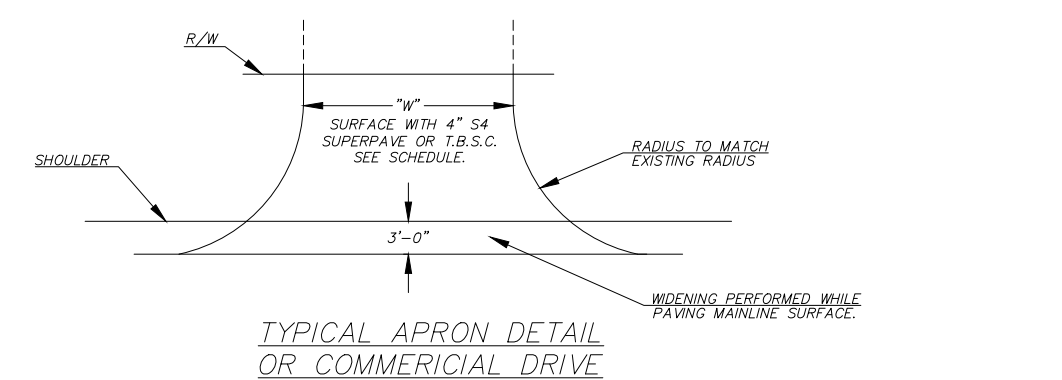
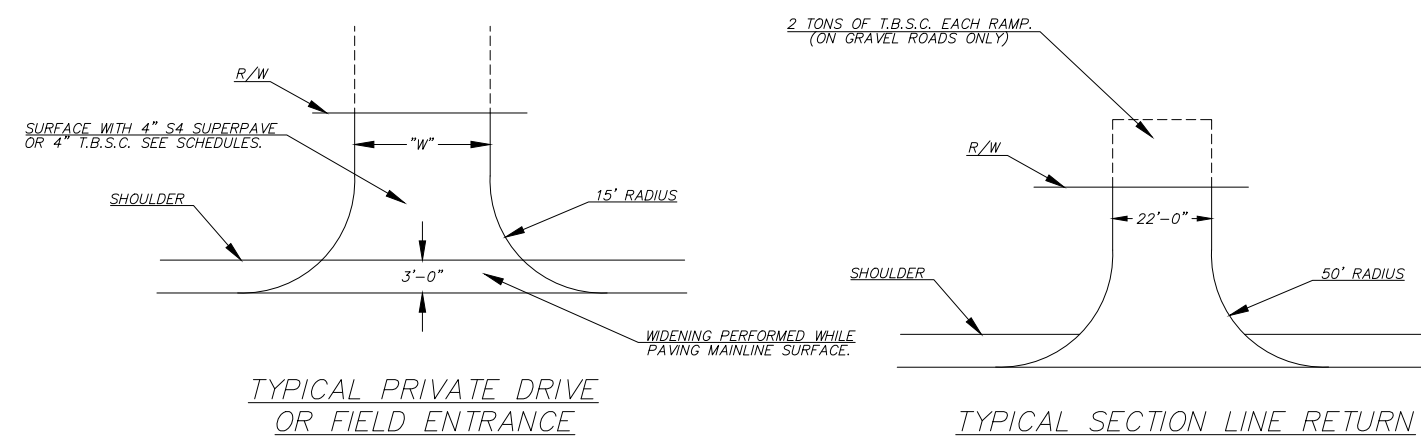
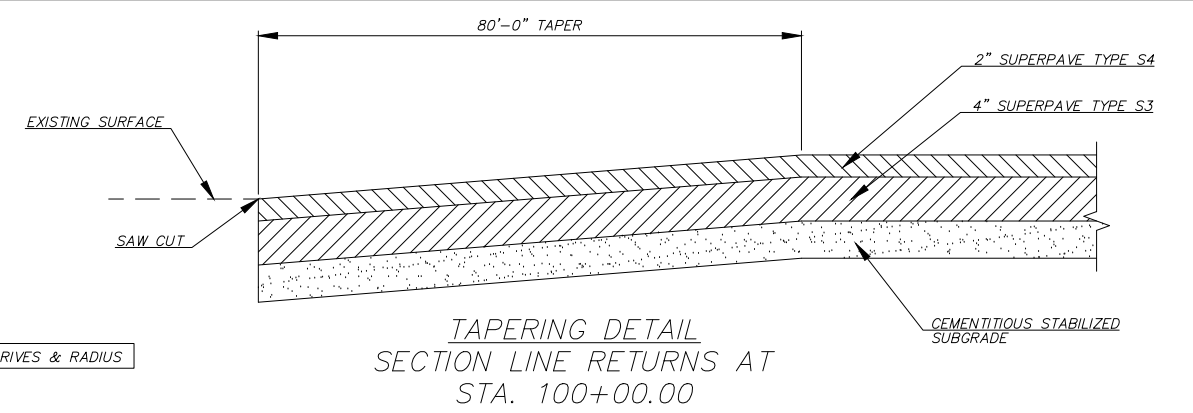
(1) SHOULDERING UP WILL BE INCLUDED
IN THE EARTHWORK PAY ITEM.

| SUMMARY OF MAINLINE SURFACING QUANTITIES * | | | | | | | |
|--|--------|---------|------------------------|------------|-----------|-------------------|-------------------|
| STATION EXTENT | LENGTH | FLY ASH | CEMENT. STAB. SUBGRADE | PRIME COAT | TACK COAT | SUPERPAVE TYPE S3 | SUPERPAVE TYPE S4 |
| | FT. | TON | S.Y. | GAL. | GAL. | TONS | TONS |
| 99+00.00 TO 101+72.39 | 272.39 | 46.00 | 907.00 | 318.00 | 45.00 | 205.00 | 97.00 |
| 103+27.61 TO 106+00.00 | 272.39 | 46.00 | 907.00 | 326.00 | 46.00 | 213.00 | 100.00 |
| 200+00.00 TO 204+44.33 | 444.33 | 60.00 | 1,186.00 | 415.00 | 56.00 | 257.00 | 124.00 |
| SHEET TOTALS | 989.11 | 152.00 | 3,000.00 | 1,059.00 | 147.00 | 675.00 | 321.00 |

*INCLUDES QUANTITIES FOR GUARDRAIL WIDENING.

| SUMMARY OF DRIVES & SEC. LINE RETURNS | | | | | | | | | | |
|---------------------------------------|----------|--------|-------|-----------|-------------------|-------------------|----------|------------|---------|------------------------|
| STATION | LOCATION | STYLE | WIDTH | TACK COAT | SUPERPAVE TYPE S3 | SUPERPAVE TYPE S4 | T.B.S.C. | PRIME COAT | FLY ASH | CEMENT. STAB. SUBGRADE |
| | | | FT. | GAL. | TONS | TONS | TONS | GAL. | TON | S.Y. |
| 100+00.00 | RT. | S.L.R. | 22.00 | 13.00 | 59.00 | 28.00 | | 95.00 | 14.00 | 270.00 |
| 100+00.00 | LT. | S.L.R. | 22.00 | 19.00 | 87.00 | 42.00 | | 139.00 | 20.00 | 397.00 |
| 104+82.00 | RT. | FIELD | 20.00 | | | | 12.00 | | | |
| 105+65.00 | LT. | FIELD | 30.00 | | | | 12.00 | | | |
| TOTAL | | | | | 32.00 | 146.00 | 70.00 | 234.00 | 34.00 | 667.00 |

| SUMMARY OF DRAINAGE STRUCTURES | | | | | | | | | | |
|--------------------------------|-----------|--|--------|-----------|------------|-------------|--------------------------|----------------------------------|-----------------------|-----------------------------|
| STR. NO. | STATION | DESCRIPTION | DESIGN | FL. INLET | FL. OUTLET | FILL HEIGHT | REINFORCED CONCRETE PIPE | CORR. GALV. STEEL PIPE | CULVERT END TREATMENT | PREFAB. CULVERT END SECTION |
| | | | | | | | 613(A) ROUND 36" | 613(B) ARCH 21"x15" 36" | 613(M) TYPE A4 | 613(L) ROUND 36" |
| | | | | FT. | FT. | FT. | L.F. | L.F. | EA. | EA. |
| 1 | 105+65.00 | CONST. 21"x15"x60' CGSPA SIDE DRAIN, LT. | CET | 0.00 | 0.00 | 1.00 | | 60.00 | 2.00 | |
| 2 | 201+12.50 | CONST. 36"x64' RCP CROSS DRAIN | PCES-4 | 0.00 | 0.00 | 1.00 | 64.00 | | | 2.00 |
| SHEET TOTAL | | | | | | | 64.00 | 60.00 | 2.00 | 2.00 |



| SUMMARY OF SIGNS | | | | | | | | | |
|------------------|----------|------|---------|-----------|-----------------------------------|--------------------------------|-------|---------|--|
| STATION | LOCATION | TYPE | SIZE | SIGN AREA | 2 1/4" X 12 GA. SQUARE TUBE POSTS | | LABEL | BLANK | |
| | | | | | SIGN POST LENGTH | LATERAL CLEARANCE FROM SURFACE | | | |
| 99+54.00 | RT. | STOP | 36"x36" | 7.46 | 12 | 12 | R1-1E | B-36(0) | |
| 100+48.00 | LT. | STOP | 36"x36" | 7.46 | 12 | 12 | R1-1E | B-36(0) | |
| 104+25.00 | LT. | STOP | 36"x36" | 7.46 | 12 | 12 | R1-1E | B-36(0) | |
| | | | | 22.38 | | | | | |

MAJOR COUNTY SAND CREEK
TYPICAL SECTION, LAYER DETAILS & DRIVES
J/P NO. 28348(04) SHEET NO. 0002